



# R-Drive Transport Systems

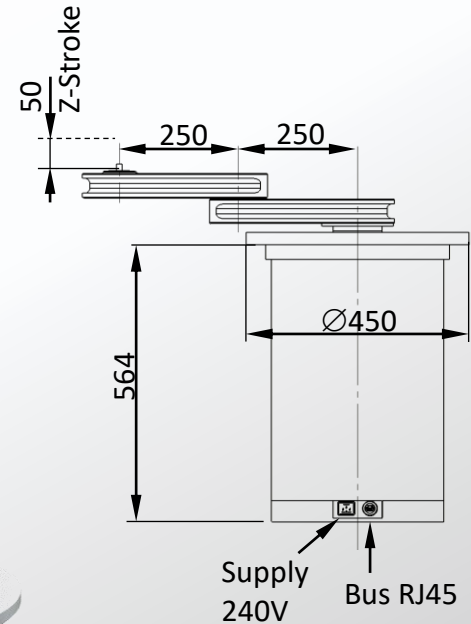
## Cluster Tools

# R-Drive SCARA Robot

- R-Drive SCARA robot for material handling in special environments (high vacuum)
- The R-Drive is developed for handling of substrates with non-standard sizes and weights

- Technical Data:

- Vacuum Level 1·10e-7 mbar
- Leak Rate 1·10e-9 mbar·l/s
- Payload 10 kg
- R-stroke 1000 mm
- Z-stroke 50 mm
- Rotation 360°
- Interface Ethernet
- Power supply 100 - 240 V



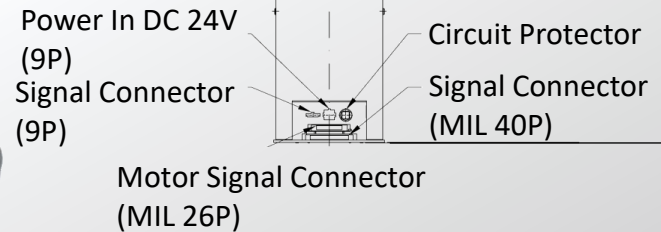
# R-Drive Benefits

- Long range
- Heavy payload up to 10 kg
- Ultra clean design
- High vacuum compatible
- Integrated controller

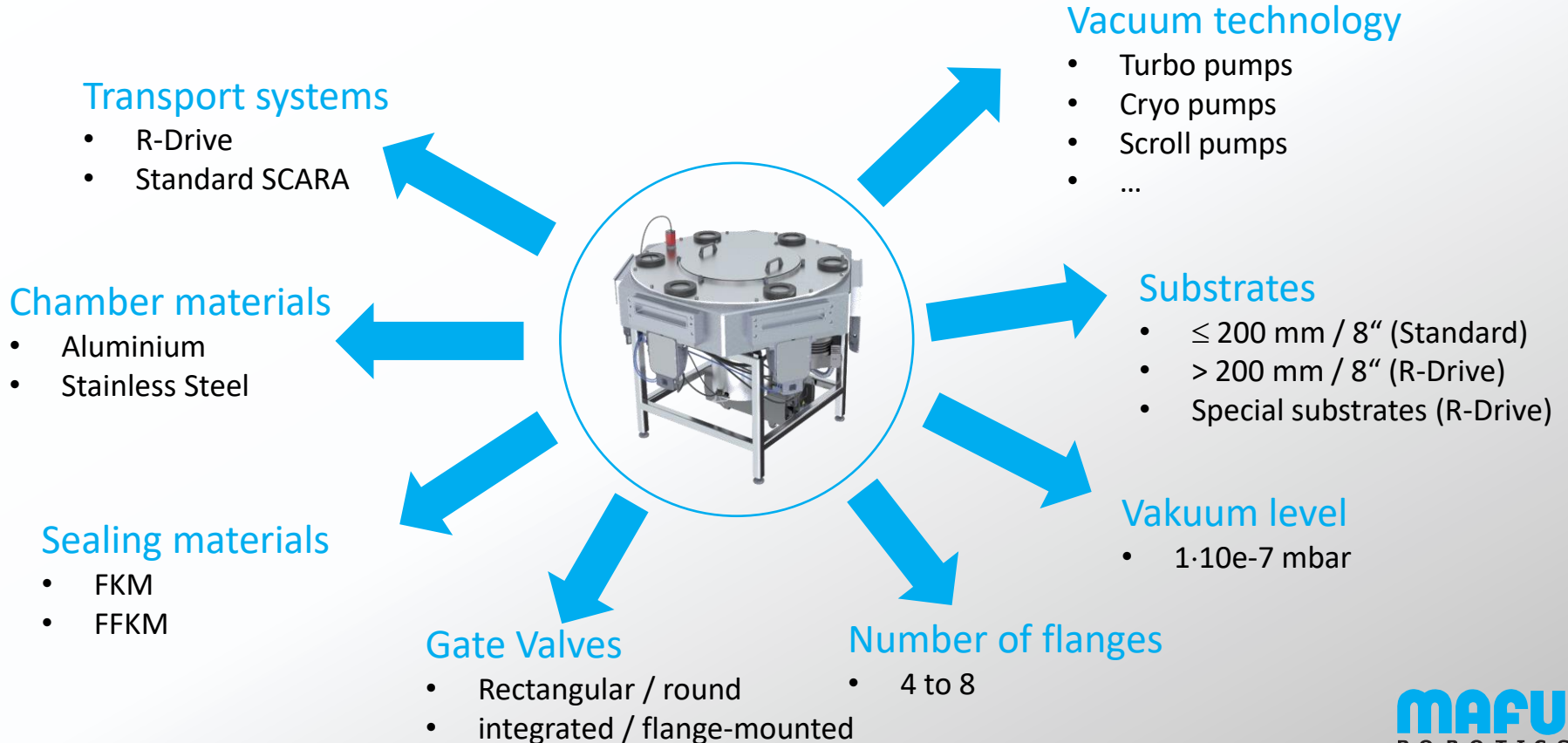


# Standard SCARA Robot

- Standard SCARA Robot for substrate handling in vacuum
- Technical Data:
  - Vacuum Level 1·10e-7 mbar
  - Leak rate 1·10e-9 mbar·l/s
  - Payload 2 kg
  - Arm length L (I) 163 mm
  - Arm length L (II) 285 mm
  - R-stroke (I) 491 mm
  - R-stroke (II) 786 mm
  - Rotation 330°
  - Z-stroke 55 mm



# Cluster Tools





# Thank you!

Contact: Herbert Wituschek  
+49 170 220 12 19  
[hwituschek@mafu-robotics.de](mailto:hwituschek@mafu-robotics.de)  
[www.mafu-robotics.de](http://www.mafu-robotics.de)